

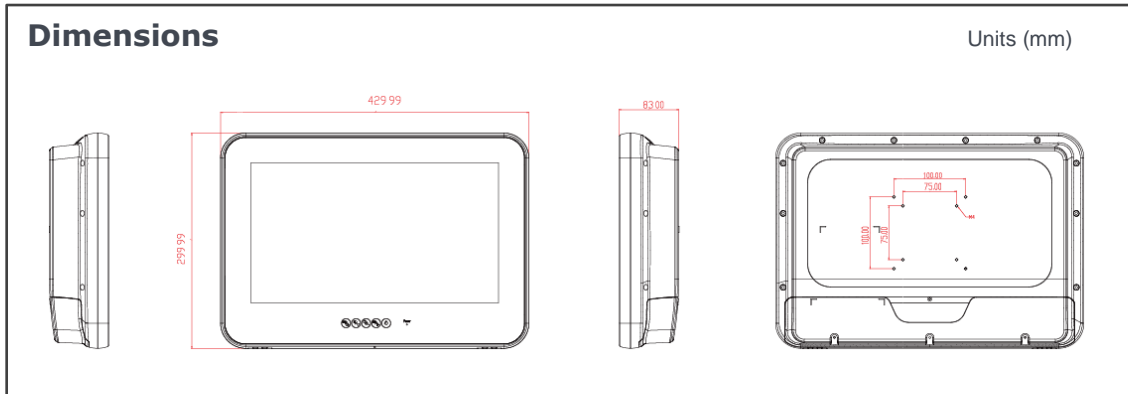


### Features

- 15.6" True Color Diagnostic Panel
- Anti-bacteria (MRSA) Plastic Housing
- IP65 at Front Side, IPx1 for Whole System
- Built-in a Pair of 2W Stereo Speakers
- Support HDMI, DP, DVI-D, Audio-in
- Support Optional Desktop Stand, and VESA 75/100
- IEC60601-1-2 4th Edition & RoHS2 Compliance

### Specification

Model	WMD-153
Display Size	15.6" wide TFT-Color LCD (16:9)
Display	1366 x 768 (XGA), 16.7M colors, 170(H) / 160(V), 400 nits (Typ. Center point), CR:500 : 1 (Typ.)
Touch Screen	Full flat projective capacitive touch panel / Light Transmission: 90% ± 3% / Hardness: 7H pencil, pressure 750g/45° / Life: 100M times
USB	USB2.0 x 1
Audio	3.5mm phone jack connector x 1 (Line-In), Speaker Output: 2W x 2
Video	DVI-D x 1, DP x 1, HDMI 1.4a (input) x 1
Control Key (R to L)	Power Button // Auto / OSD OFF // Up / Speaker adjust // Down /Mute // Menu / Enter
Power Input	DC-in
Power Adapter	AC input 100 ~ 264V / 47 ~ 63 Hz / DC output 12V, 63W Universal
Temperature	Operating Temperature: 0~40°C (chamber) / Storage Temperature: -20~60°C
Humidity	Operating & Storage:10 ~ 90%, non-condensing
IP Rating / Housing	IP65 at Front Side, IPx1 for Whole System / Plastic / Hospital white
Dimensions (Net)	430.0mm (H) x 300mm (V) x 83mm (T)
Weights (Net)	4.6 kg (w/o power adapter/battery pack)
Mounting	Optional Stand, VESA 75/100
Certification	CE: EN 60601-1-2:2015(V4.0), EN 60601-1:2006/A1:2013(V3.1) VCCI: 2016-11, Class B (PSU with PSE) FCC: Part 18 Class B ISO 14971



### Major Options

Add On Parts	1. AG film (Can not co-exist with DICOM module)
Customization	1. DICOM compatible to DICOM Part 14

### Order Information

Item	Configuration
WMD-153	15.6" Full flat projective capacitive touch medical grade monitor



- ① USB
- ② DVI-D
- ③ HDMI x 1
- ④ DP x 1
- ⑤ Line in x 1
- ⑥ DC in
- ⑦ Equipotential terminal pin

