



### Features

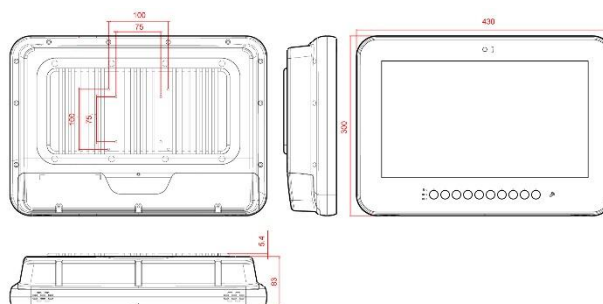
- Anti-bacteria (MRSA) plastic housing
- 15.6"(1366x768), 400nits Diagnostic panel or 15.6"(1920 x1080), 500nits FHD panel
- High performance intel 13th generation Core i CPU
- Support Intel Vpro technology by CPU
- Supports Dual Channel DDR5 SODIMM up to 96GB
- IP65 at front side, IPx1 for whole system
- Fanless solution
- Optional Built-In UPS Battery Pack
- Optional 2.5" SATA3 SSD up to 2TB
- Optional Full HD/4K capture card
- Supports PCI-E x4 riser card (option)
- USB/LAN/COM 4KV isolated module (option)
- Support MECM & Autopilot

### Specification

Model	WMP 15P IP0A (STD)	WMP 15P IP0B (ISO)
CPU / Chipset	FCBGA1744 Intel® 13 <sup>th</sup> Gen. Core i7/i5/i3 & Celeron Processor (15W Max.) / SoC	
Graphic	Intel® Iris Xe Graphics (i7/i5 CPU) / Intel® UHD Graphics (i3 CPU)	
RAM	Two 5200 MHz DDR5 SODIMM Socket Support Dual Channel, non-ECC, up to 96GB	
OS Support	Optional Windows 10 IoT Enterprise LTSC / WIN 11 IoT Enterprise GAC	
Storage	1 x M.2 (M Key 2280) with PCIe4, 1 x 2.5" SATA3 SSD/HDD drive bay	
Expansion	1 x PCIe4 (40W max.), 1 x M.2 E Key	
Display Size	15.6" wide TFT-Color LCD (16:9)	
Display	Option 1: 1366 x 768, 16.7M colors, 170(H) / 160(V), 400 nits, CR:500: 1 (Typ) Option 2: 1920 x 1080 (Full HD), 16.7M colors, 178(H) / 178(V), 500 nits, CR:1000: 1 (Typ)	
Touch Screen	Projected Capacitive Multi-Touch Panel / Light Transmission: ≥ 84% / Hardness: 7H pencil, pressure 765g/45° / Life: 50000	
USB	4 x USB3.2 gen II	4 x USB3.2 gen II, 1 x ISO USB2.0
COM	1 x RS232/RS422/RS485 1 x RS232	1 x RS232/RS422/RS485, 1 x RS232 1 x ISO RS232/RS422/RS485, 1 x ISO RS232
LAN	2 x RJ45	2 x RJ45 1 x ISO RJ45
Audio/ Video	1 x Line-out & 1 x Microphone-in (3.5mm phone jack) / 1 x DP1.4a, 1 x HDMI 2.0	
Speakers & Mic.	2 x 2-watt Speakers & Integrated Microphone (at Housing Bottom Side)	
Control Hot Key (R to L)	Battery LED Indicator, Power On/Off, Mute, Volume +/-, Brightness +/-, LCD Backlight On/Off, Clean Me, webcam On/Off, Function Key	
Cooling	Fanless Design with External Heatsink	
Power Input	DC 12-24V input	
Power Adapter	AC input 100~240V / 47 ~ 63 Hz / DC output 12V, 100W (HPU-101)	
Temperature	Operating Temperature: 0~40°C (IEC60068-2-78) / Storage Temperature: -20~60°C	
Humidity	Operating & Storage:10 ~ 90%, non-condensing	
IP Rating	IP65 at front side, IPx1 for whole system	
Housing	Front: Full flat design / Touch (standard)/ Glass (customized); Rear: Plastic White w/Anti-bacteria (MRSA) Housing	
Dimensions (Net)	430mm (H) x 300mm (V) x 88.4mm (T)	
Weights (Net)	5.0 kg (w/o power adapter/battery pack)	
Mounting	VESA 75x75, 100 x 100	
Certification	CE: EN IEC 60601-1-2:2015/A1:2021(Ed 4.1) EN 60601-1: 2006/A2:2021; IEC 60601-1:2005, IEC 60601-1:2005/AMD1:2012, IEC 60601-1:2005/AMD2:2020 VCCI: 2016-11, Class B (PSU/Battery with PSE) / FCC: Part 18 Class B UL: AAMI ES60601-1:2005/(R)2012 and A1:2012/(R)2012 and A2:2021 By Project cUL: CAN/CSA-C22.2 No. 60601-1:14 By Project ISO 14971 / IEC62133	

### Dimensions

Units (mm)



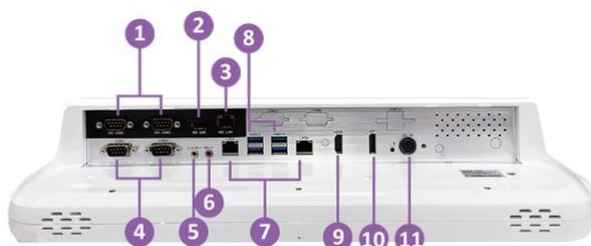
### Major Options & Customization

Options	<ul style="list-style-type: none"> <li>① 802.11 ac/a/b/g/n WLAN + Bluetooth module</li> <li>② 802.11 ax/a/b/g/n WLAN + Bluetooth module (Wifi-6) :802.11 be WLAN + Bluetooth module (Wifi-7)</li> <li>③ Auto focus 5M pixel webcam module</li> <li>④ 2.5" SSD module</li> <li>⑤ M.2 type 2280 module</li> <li>⑥ RFID (13.56MHz)</li> <li>⑦ TPM 2.0(SPI) module</li> <li>⑧ Battery pack (Battery Energy: Typical 28Wh)</li> <li>⑨ COM3,4</li> <li>⑩ USB5,6</li> <li>⑪ Equipotential terminal pin</li> <li>⑫ AG film</li> <li>⑬ PCI-E x4 riser card</li> <li>⑭ Full HD /4K capture card</li> <li>⑮ Isolated 4KV module (optional order configuration) 4KV Isolated USB 2.0 (High speed) connector x 1 4KV Isolated gigaLAN connector x 1 4KV Isolated COM connector x 2 (one is RS-232/422/485, one is RS-232)</li> <li>⑯ FHD panel (optional order configuration)</li> <li>⑰ AC DC Power adapter 18V 100W (EU Only) (optional order configuration)</li> <li>⑱ GPIO capture card control solution</li> </ul>
Customization	<ul style="list-style-type: none"> <li>① Tempered Glass</li> <li>② Touch Panel with Anti-glare Coating</li> <li>③ COM 5,6 (New I/O bracket, remove USB5,6)</li> <li>④ Light sensor for LCD auto brightness (can't co-exist with webcam)</li> </ul>

### Order Information

Item	Configuration
WMP-15P-IP0A-i5	Core i5-1335U 4.60GHz / DDR5 8G RAM / M.2 128G SSD / P.cap touch / Support Vpro
WMP-15P-IP0A-i7	Core i7-1355U 5.00GHz / DDR5 8G RAM / M.2 128G SSD / P.cap touch / Support Vpro
WMP-15P-IP0A-i5UE	Core i5-1345UE 4.60GHz / DDR5 8G RAM / M.2 128G SSD / P.cap touch / Support Vpro
WMP-15P-IP0B-i5-ISO	Core i5-1335U 4.60GHz / DDR5 8G RAM / M.2 128G SSD / P.cap touch / Support Vpro / ISO
WMP-15P-IP0A-i5-FHD	Core i5-1335U 4.60GHz / DDR5 8G RAM / M.2 128G SSD / P.cap touch / Support Vpro / FHD

### I/O ports (ISO)



- ① iso COM x 2
- ⑤ Line-out
- ⑨ HDMI x 1
- ② iso USB x 1
- ⑥ Mic-in
- ⑩ DP x 1
- ③ iso LAN x 1
- ⑦ LAN x 2
- ⑪ DC-in
- ④ COM x 2
- ⑧ USB 3.2 x 4