

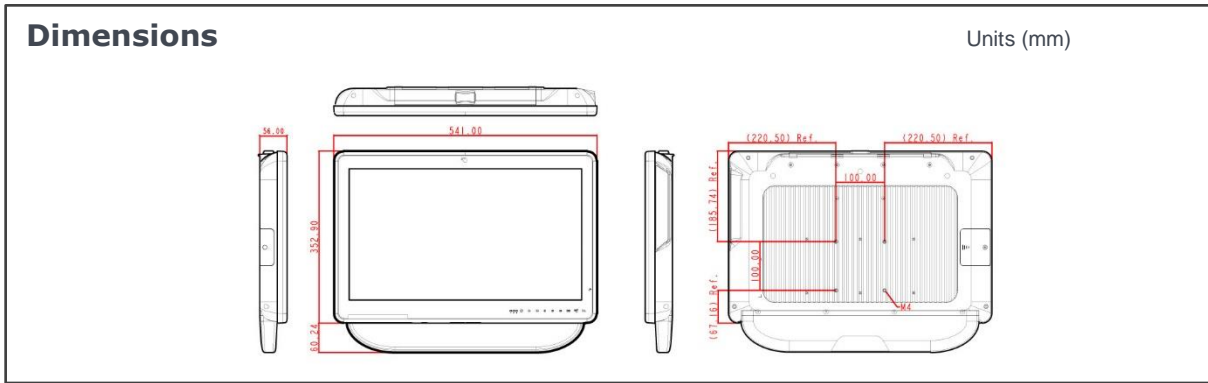


Features

- Mobile Intel® 12th /13th generation Core i CPU (U series)
- The newest regulation EN 60601-1: 2006/A2:2021 Compliance
- 21.5" FHD AHVA Diagnostic Panel w/ P-Cap Multi-Touch
- Optional Hot-Swappable Batteries X3; IP54 rear cover batteries x 1
- Optional IP54 Rear w/Full Sealed Upside Housing Sku
- Fanless Design with Reliable Thermal Solution
- Dual storage M.2 SSD & 2.5" drive (w/ doggy door)
- Hospital White Plastic Housing w/ Anti-bacteria Treatment
- 4KV Isolated I/O kit, More Options for Diversified Applications
- Support PCIe4 Expansion Slot

Specification

Model	WMP 22P IP0A (STD)	WMP 22P IP0P (IP54)	WMP 22P IP0B (ISO)
CPU / Chipset	FCBGA1744 Intel® 12th/13th Gen. Core i7/i5/i3 & Celeron Processor (15W Max.) / SoC Support Vpro by Core i7/i5 CPU		
Graphic	Intel® Iris Xe Graphics (i7/i5 CPU) / Intel® UHD Graphics (i3 CPU)		
RAM	Two 4800 MHz DDR5 SODIMM Socket Support Dual Channel, non-ECC, up to 64GB		
OS Support	Optional Win 10 IoT Enterprise LTSC, Win 11 IoT Enterprise GAC		
Storage	1 x M.2 (M Key 2280) with PCIe4 for SSD, Standard rear cover: 2.5" SATA3 HDD/SSD drive bay x 1 with doggy door, IP54 rear cover: 2.5" SATA3 HDD/SSD drive bay x 1		
Expansion	1 x PCIe4 (25W max.), 1 x M.2 E Key		
Display Size	21.5" wide TFT-Color LCD (16:9)		
Display	1920 x 1080 (Full HD), 16.7M colors (True 8 bit), 178(H) / 178(V), 250 nits (Typ. Center point), CR:1000: 1 (Typ)		
Touch Screen	Projected Capacitive Multi-Touch Panel / Light Transmission: ≥ 87% / Hardness: 7H pencil, pressure 750g/45° / Life: 50000		
USB	4 x USB3.2 gen II		4 x USB3.2 gen II, 1 x ISO USB2.0
COM	1 x RS232/RS422/RS485 1 x RS-232		1 x ISO RS232/RS422/RS485 1 x ISO RS-232
LAN	2 x RJ45 (1 x 1.0 Gbps, 1 x 2.5 Gbps)		2 x RJ45 (1 x 1.0 Gbps, 1 x 2.5 Gbps), 1 x ISO RJ45
Audio/ Video	1 x Line-out & 1 x Microphone-in (3.5mm phone jack) / 1 x DP1.4a, 1 x HDMI2.0, 1 x HDMI (video-in)		
Speakers & Mic.	2 x 2-watt Speakers & Integrated Microphone (at Housing Bottom Side)		
Reading light	2 x Light Bar (at housing bottom side)		
Control Hot Key (R to L)	Battery LED Indicator, Power On/Off, Volume +/-, Brightness +/-, Reading Light, LCD Backlight On/Off, Clean Me, Function Key		
Cooling	Fanless Design with External Heatsink		
Battery Pack	Option 3xDR-202, Hot Swappable Battery	Option 1 x DR-202 UPS Battery	Option 3xDR-202 Series, Lithium-ion Battery, Hot Swappable Design
Power Input	DC-In x 1, DC 14-24V input		
Power Adapter	AC input 100~240V / 47 ~ 63 Hz / DC output 18V, 100W (Optional 180W)		
Temperature	Operating Temperature: 0~40°C (Burn-in, not airtight, w/ Battery 0~35°C) / Storage Temperature: -20~60°C		
Humidity	Operating & Storage: 10 ~ 90%, non-condensing		
IP Rating	Front IP65, Rear IPx1	Front IP65, Rear IP54	Front IP65, Rear IPX1
Housing	Front: Full flat design / Touch (standard)/ Glass (customized); Rear: Plastic White w/Anti-bacteria (MRSA) Housing		
Dimensions (Net)	541.0mm (H) x 352.9mm (V) x 56.0mm (T)		
Weights (Net)	7.0 kg (w/o power adapter/battery pack), 8.5 kg (w/ x3 battery pack & no power adaptor)		
Mounting	VESA 100 x 100		
Certification	CE: EN IEC 60601-1-2:2015/A1:2021(Ed 4.1) EN 60601-1: 2006/A2:2021; IEC 60601-1:2005, IEC 60601-1:2005/AMD1:2012, IEC 60601-1:2005/AMD2:2020 VCCI: 2016-11, Class B (PSU/Battery with PSE) / FCC: Part 18 Class B UL: AAMI ES60601-1:2005/(R)2012 and A1:2012/(R)2012 and A2:2021 By Project cUL: CAN/CSA-C22.2 No. 60601-1:14 By Project ISO 14971 / IEC62133		



Major Options & Customization	
Battery & Charger	① Battery Pack: 3xDR-202 Series, Hot-Swappable Battery, or 1 x DR-202 UPS Battery for IP54 Sku ② Battery Charger Station: JW202W2 3-Slot w/200W Power Adaptor
Options	① 802.11 ac/a/b/g/n WLAN + Bluetooth module ② 802.11 ax/a/b/g/n WLAN + Bluetooth module (Wifi-6) ; 802.11 be WLAN + Bluetooth module (Wifi-7) ③ Auto focus 5M pixel webcam module ④ 2.5" Storage ⑤ M.2 type 2280 module ⑥ RFID (13.56MHz); RFID with single sign on ⑦ TPM 2.0 module (SPI) ⑧ Full HD capture card or 4K SC710N1 12G SDI capture card ⑨ USB 2.0 x 2 at side (different rear housing) ⑩ Smart card reader at side or CAC / PIV Reader (FIPS-201) (different rear housing) ⑪ 5V1A power Jack (for Standard Type) ⑫ Equipotential terminal pin ⑬ AG film (Can't exist with DICOM) ⑭ Light sensor for LCD auto brightness (Can't exist with webcam & DICOM) ⑮ DICOM part 14 compliance (optional order configuration) (Can't exist with Light sensor) ⑯ Isolated 4KV module (optional order configuration) ⑰ 30 Watt Power output card for external device ⑱ USB 5/6 (USB 2.0 can't co-exist with side USB) ⑲ Integrated hot-swappable batteries (DR-202 series) ⑳ IP54 Rear Cover (optional order configuration)
Customization	① Tempered Glass ② Touch Panel with Anti-glare Coating ③ COM Ports Support 5V1A Output

Order Information

Item	Configuration
WMP-22P-IP0A-i5	Core i5-1235U 4.40GHz / DDR5 8G RAM / M.2 128G SSD / P.cap touch / Support Vpro
WMP-22P-IP0A-i7	Core i7-1255U 4.70GHz / DDR5 8G RAM / M.2 128G SSD / P.cap touch / Support Vpro
WMP-22P-IP0A-i5UE	Core i5-1245UE 4.40GHz / DDR5 8G RAM / M.2 128G SSD / P.cap touch / Support Vpro
WMP-22P-IP0B-i5-ISO	Core i5-1235U 4.40GHz / DDR5 8G RAM / M.2 128G SSD / P.cap touch / Support Vpro / ISO
WMP-22P-IP0P-i5-IP54	Core i5-1235U 4.40GHz / DDR5 8G RAM / M.2 128G SSD / P.cap touch / Support Vpro / IP54
WMP-22P-IP0A- i5	Core i5-1335U 4.60GHz / DDR5 8G RAM / M.2 128G SSD / P.cap touch / Support Vpro

I/O ports



- ① PCI-E expansion
- ② Video-in
- ③ Line-out
- ④ Microphone-in
- ⑤ LAN x 2
- ⑥ USB3.2 gen II x 4
- ⑦ HDMI out x 1
- ⑧ DP x 1
- ⑨ Reset
- ⑩ DC-in
- ⑪ RS232/422/485
- ⑫ RS232

